

12MP Fish Eye IP Camera Two Way Audio Built in

Model #:IPC-FIS-12MP-S



Features:

- 1/2.3" Progressive Scan CMOS
- HD 12MP Video Output
- Up to 4000x3000
- 0.98mm Angle of view: 360° Ceiling Mount 180° Wall Mount
- Night Vision up to 50 Feet
- Vandal Resistant IP66 Weatherproof
- True Day/Night
- 3 Years Warranty

- AI+ Include Face Recognition(FR) Human & Vehicle

Detection(PD&VD) Perimeter Intrusion Detection(PID) Line Crossing
Detection(LCD) Cross Counting(CC) Stationary Object Detection(SOD)

Heat Map(HM) Crowd Density Detection(CD) Queue Length

Detection(QD) License Plate Detection(LPD) Rare Sound Detection(RSD)

We reserve the right to modify product design and specification without notice and without incurring any obligation

For more information please contact a DSS Sales Representative

Toll Free: 1.888.467.8812 · Fax: 1.609.431.0932 · Email: sales@dss-cctv.com

WWW.DSSDEPOT.COM

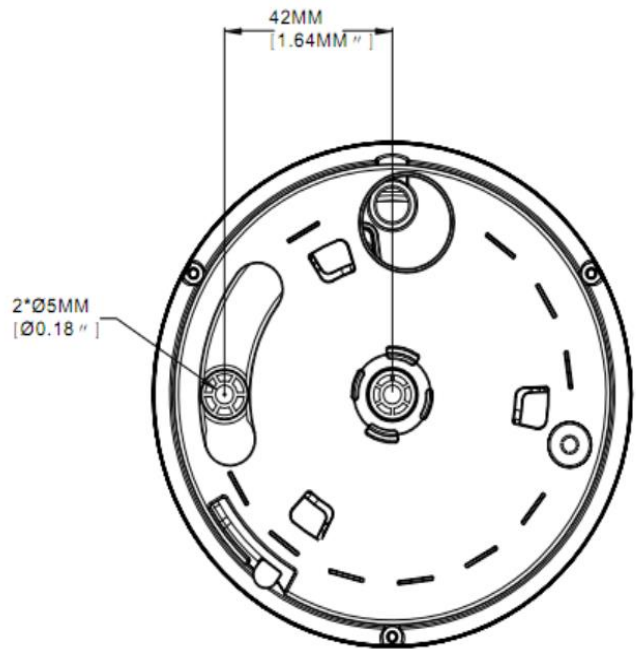
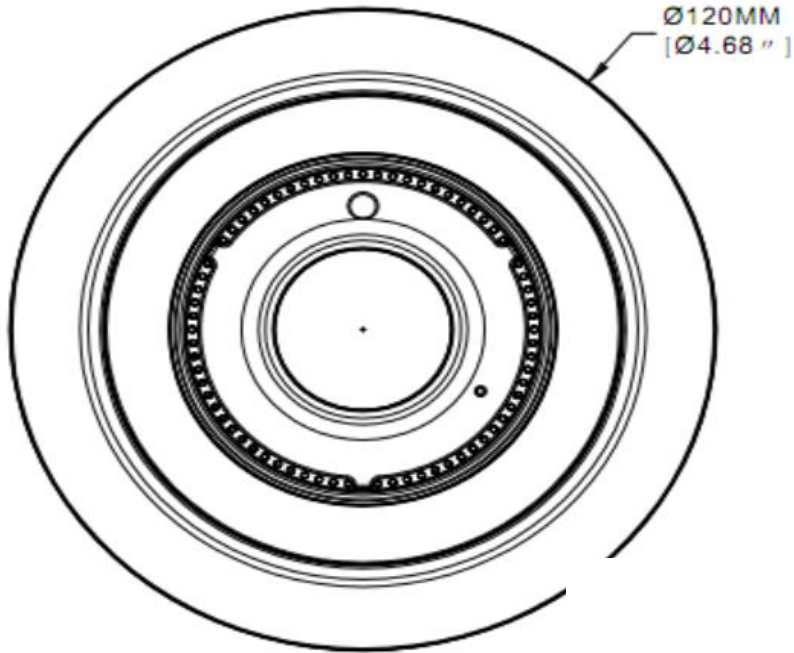
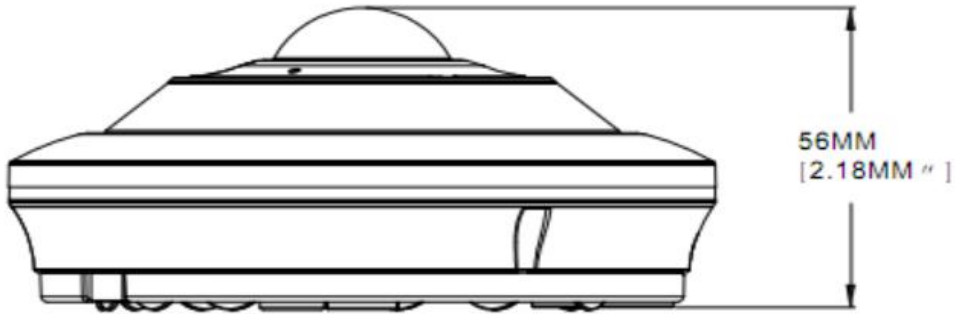
Technical Specifications

Model No.	IPC-FIS-12MP-S
Camera	
Image sensor	1/2.3" progressive scan CMOS
Min. illumination	0.3 lux @ (F2.8, AGC ON) 0 lux with IR
Shutter time	1/25s ~ 1/100,000s
Lens	0.98mm @F2.8, angle of view: 360°
Lens mount	M12
Slow Shutter	Support
Day & night	IR cut filter with auto switch
Digital noise reduction	3D DNR
Wide dynamic range	Digital WDR
Compression Standard	
Video compression	H.265/ H.264 / MJPEG
H.264 codec profile	Main profile
Bit rate	32 Kbps ~ 8 Mbps
Image	
Max. Image Resolution	4000 x 3000, 12 Megapixel
Frame rate	High-frame Mode: support
Image settings	Saturation, brightness, contrast, sharpness adjustable through
BLC	Yes, zone configurable
High Light Compensation	Support
Privacy Mask	On/Off, Maximum 8 Zones
Motion Detection	On/Off, maximum 4 zones
BLC	Support
Anti-Flicker	On/Off
Function	Eclipse, Digital noise reduction, Digital zoom(62x), Slow shutter, Mirror, Defog, Defect pixel correction, SMART D-ZOOM
Network	
Network storage	NAS (iSCSI optional)
Alarm trigger	Motion detection, tampering alarm, network disconnect, IP address conflict, storage exception, dynamic analysis
Protocols	TCP/IP, HTTP, DHCP, DNS, DDNS, RTP, RTSP, PPPoE, SMTP, NTP, SNMP, HTTPS, FTP, 802.1x, Qos (SIP, SRTP, IPv6 optional)
Interoperability	ONVIF(Profile S,G,T), PSIA, CGI
Security	User Authentication, watermark
Interface	
Communication interface	1 RJ45 10 M / 100 M Ethernet interface
Web Browser	IE 7, IE 8, IE 9
Audio Input	Built in Mic, Built in Speaker
On-board storage	Built-in Micro SD/SDXC slot, up to 256 GB
Alarm	Alarm Trigger
General	
Operating conditions	(-22°F ~ 140 °F) humidity 95% or less (non-condensing)
Power supply	DC12V ± 10% , PoE (802.3af)
Power consumption	Max. 11W
Weather proof rating	IP66
IR range	Up to 50 ft
Dimension	4.7" x 4.7" x 2.17")
Weight	400g

For more information please contact a DSS Sales Representative

Toll Free: 1.888.467.8812 · Fax: 1.609.431.0932 · Email: sales@dss-cctv.com

WWW.DSSDEPOT.COM



We reserve the right to modify product design and specification without notice and without incurring any obligation

For more information please contact a DSS Sales Representative
Toll Free: 1.888.467.8812 · Fax: 1.609.431.0932 · Email: sales@dss-cctv.com
WWW.DSSDEPOT.COM